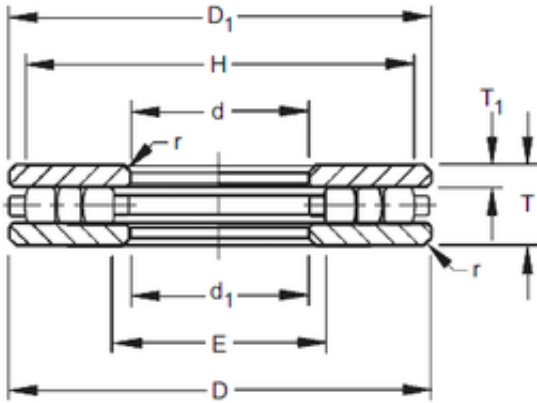




200TP171 Timken Tapered Roller Bearings

Bearing No. 200TP171



200TP171 Bearing 2D drawings and 3D CAD models

Size	508x711.2x139.7 mm
Bore Diameter	508 mm
Outer Diameter	711,2 mm
Width	139,7 mm
d	508 mm
D	711,2 mm
T	139,7 mm
r max	6,4 mm
T1	38,1 mm
d1	511,2 mm
D1	708 mm
E	533,4 mm
H	685,8 mm